

04/2014

Mod: 046D_PS-NP

Production code: 916913



Diamond
catering equipment



**SPARE PARTS CATALOGUE
ERSATZTEILKATALOG
CATALOGUE PIECES DETACHEES
CATALOGO PARTI RICAMBIO
CATALOGO DE PIEZAS DE RECAMBIO
CATALOGO PEÇAS DE REPOSIÇÃO**

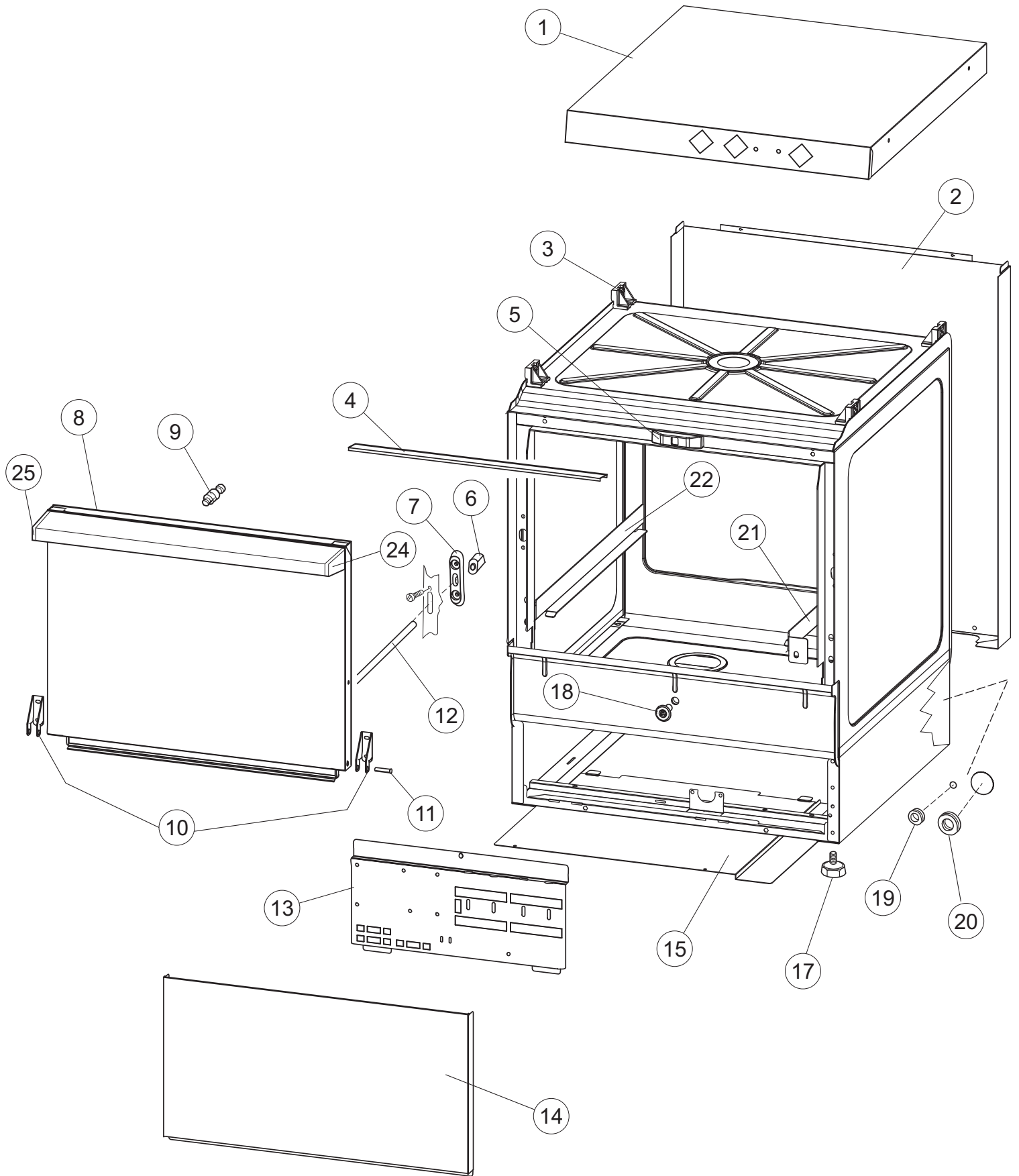
046D-NP

046D/A-NP

046D/PS-NP

09-04-2014

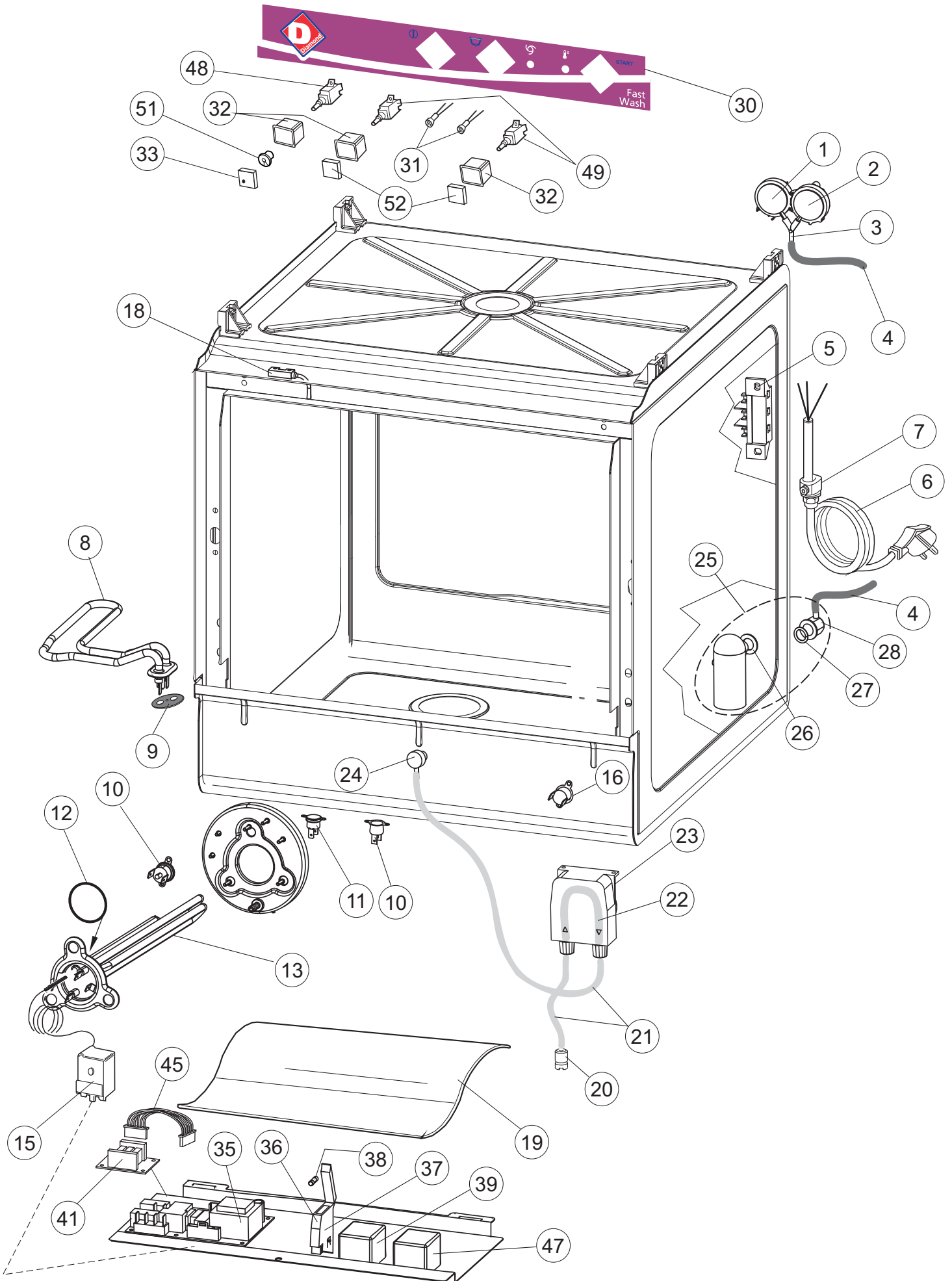
1



Listino componenti per pagina 1

1	004293	CAPPELLO LA450 COVER GEHAEUSEDECKEL COUVERCLE CAPERUZA	
2	022164	PANNELLO POSTERIORE REAR PANEL FOR GLASSWASHER HINTERPANEEL PANNEAU ARRIER POUR PANEL TRASERO	
3	035113	STAFFA PL.FISSA FIANCHI-CAPPELLO LA500 FIXED BRACKET BEFESTIGT BÜGEL ÉTRIER FIXE	
4	437115	GUARNIZIONE SPORTELLO DOOR GASKET TUERDICHTUNG JOINT PORTE JUNTA PUERTA	
5	994012	GRUPPO SERRATURA EB/F 22/44 LOCK EB/F 22/44 SCHLOSS EB/F 22/44 ENS.SERRURE EB/F 22/44 GRUPO CERRADURA EB/F 22/44	
6	417041	DADO BATTUTA PORTA NUT, DOOR BUFFER SCHRAUBENMUTTER, TÜRANSCHLAG ECROU FEUILLURE PORTE TUERCA TOPE PUERTA	
7	307003	BATTUTA DADO ASTA NUT-LEDGE, FOR ROD ANSCHLAG, SCHRAUBENMUTTER FÜR STAB FEUILLURE ECROU BARRE TOPE TUERCA VARA	
8	029762	PORTA DOOR TUER PORTE PUERTA	
9	325066	PIOLO SERRATURA BETA 246/250 LOCK PIN BETA 246/250 PFLOCK, SCHLOSS BETA 246/250 CHEVILLE SERRURE BETA 246/250 BARROTE CERRADURA BETA 246/250	
10	311019	CERNIERA PORTA 45/46/50.. HINGE, DOOR 45/46/50.. SCHARNIER, TÜR 45/46/50.. CHARNIERE PORTE 45/46/50.. BISAGRA PUERTA 45/46/50. .	
11	325036	PERNO CERNIERA PORTA 50 PIN, DOOR HINGE 50 ZAPFEN, TÜRSCHARNIER 50 PIVOT CHARNIERE PORTE 50 PERNO BISAGRA PUERTA 50	
12	304021	ASTA GUIDA PORTA 50/500/453/463/503 ROD, DOOR GUIDE 50/500/453/463/503 STANGE, TÜRSCHIENE 50/500/453/463/503 BARRE GUIDE PORTE 50/500/453/463/503 VARA GUIA PUERTA 50/500/453/463/503	
13	035118	STAFFA COMP.ELETTRICI LA450 GET50 BRACKET BEF.WINKEL EQUERRE SOPORTE COMP.ELECTRICOS	
14	012344	FRONTALE PANEL FRONTAL	
15	030199	PROTEZIONE INFERIORE PER ZOCCOLO PER LAVABICCHIERI UNDERPROTECTION FOR BASIS OF GLASS- WASHER UNTERSCHUETZ DES FUESSES FUER GLAESER- SPUELER PROTECTION INFERIEURE POUR SOCLE POUR LAVE-VERRES PROTECCION INF. BASE	

17	461019	PIEDINO REGOLABILE D30 M8 FOOT, ADJUST. D30 M8 VERSTELLFUSS D30 M8 PIED REGLABLE D30 M8 PATA REGULABLE D30 M8	
18	480057	TAPPO GOMMA D.14 CAP, RUBBER D.14 GUMMISTÖPSEL D.14 BOUCHON CAOUTCHOUC D.14 TAPON GOMA D. 14	
19	459006	PASSACAVO Di9/De16 22 FAIRLEAD, Di9/De16 22 KABELDURCHGANG, Di9/De16 22 PASSE-CABLE Di9/De16 22 PASA-CABLE Di9/De16 22	
20	459004	PASSATUBO GOMMA DI.34 PIPEHOLDER, RUBBER DI.34 ROHRDURCHGANG, GUMMI DI.34 SUPPORT-TUYAU CAOUTCHOUC DI.34 PASA-TUBO GOMA DE. 34	
21	015067	GUIDA CESTO DX. RACK SLIDE DX. KORBBAHN DX. GUIDE PANIER DX. GUIA CESTA (DCHA.)	
22	015068	GUIDA CESTO SX. RACK SLIDE SX. KORBBAHN SX. GUIDE PANIER SX. GUIA CESTA (IZQDA.)	
24	480042	TAPPO MANIG.DX GRIGIO 7016 CAP, HANDLE RH GREY 7016 PFROPFEN, GRIFF RECHTS GRAU 7016 BOUCHON POIGNEE DROITE GRIS O 7016 TAPON MANIJA DCHA GRIS 7016	
25	480043	TAPPO MANIG.SX GRIGIO 7016 CAP, HANDLE LH GREY 7016 PFROPFEN, GRIFF LINKS GRAU 7016 BOUCHON POIGNEE GAUCHE GRIS 7016 TAPON MANIJA IZDA GRIS 7016	

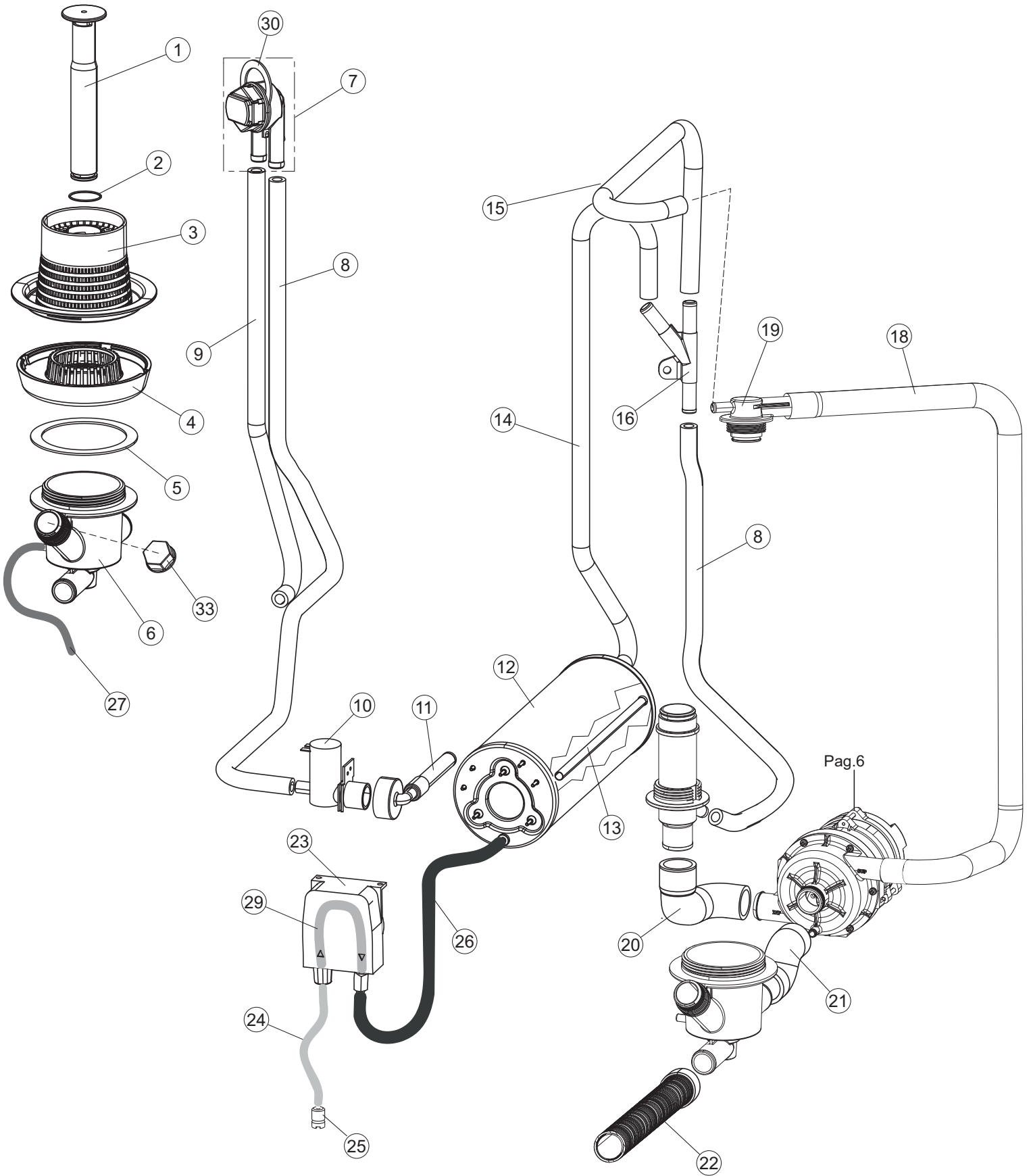


Listino componenti per pagina 2

1	224004	PRESSOSTATO - 35/17 PRESSURE SWITCH - 35/17 DRUCKSCHALTER - 35/17 PRESSOSTAT - 35/17 PRESOSTATO - 35/17	
2	224029	PRESSOSTATO - 75/55 SICUREZ. MAIN PRESSURE SWITCH 75-55 ARBEITSDRUCKWAECHTER 75-55 PRESSOSTAT DE TRAVAIL 75-55 PRESOSTATO - 75/55	Drain pump
3	035031	RACCORDO A "Y" PRESSOSTATO 760 UNION, Y-TYPE, PRESSURE SWITCH 760 Y-VERBINDUNGSST., DRUCKSCHALTER 760 RACCORD A "Y" PRESSOSTAT 760 EMPALME "Y" PRESOSTATO 760	
4	143013	TUBO PVC VERDE 4X7 PIPE, PVC GREEN 4X7 SCHLAUCH PVC GRUEN 4X7 TUYAU PVC VERT 4X7 TUBO PVC VERDE 4X7	
5	220010	MORSETTIERA FV 110 50f TERM.B. FV 110 50f KLEMMENB. FV 110 50f BOITE A BORNES FV 110 50f BORNERO FV 110 50f	
6	299040	SPINA SCHUKO 90° CABL. l=2.5mt PLUG, SCHUKO 90° CABL. l=2.5mt ANSCHLUSSKABEL SCHUKO 230V GOUPILLE SCHUKO 90° CABL. l=2.5mt CLAVIJA SCHUKO 90° CABL. l=2.5mt	
7	459005	FISSACAVO STEAB art.5024 CABLE CLAMPS, STEAB art.5024 KABELKLIPPS, STEAB Art.5024 FIXE-CABLE STEAB art.5024 SUJETA-CABLE STEAB art. 5024	
8	230118	RESISTENZA V.2100W-230V.LA50 LAVAB. HEATING ELEMENT 2100W-230V LA50 ELEKTRISCHER WIDERSTAND 2100W-230V LA50 RÉSISTANCE 2100W-230V LA50 RESISTENCIA.V.2100W-230V.LA50 LAVAB.	
9	437086	GUARNIZIONE RESISTENZA VASCA GASKET, TANK RESISTANCE DICHTUNG, TANKWIDERSTAND JOINT RESISTANCE CUVE JUNTA RESISTENCIA CUBETA	
10	236047	TERM.CONTATTO /S.95°+/-3° THERM.,CONT. /S.95°+/-3° SICHERHEITSTHERMOSTAT THERM.CONTACT /S.95°+/-3° TERM.CONTACTO /S.95°+/-3° SIC.	
11	236052	TERM.CONTATTO BOILER/L.90°+/-3°(2611576) THERM.,CONT. BOILER/L.90°+/-3°(2611576) THERM.,KONT. BOILER/L.90°+/-3°(2611576) THERM.CONTACT CHAUDIERE/L.90°+/-3°(2611576) TERM.CONTACTO CALENT./L.90°+/-3°(2611576)	
12	456002	OR 48x6,2 O-ring 48x6,2 O-Ring 48x6,2 OR 48x6,2 OR 48x6,2	
13	230113	RESIST.B.2600W/230V FL.PICCOLA P/BULBO HEATING ELEMENT 2600W/230V FL.PICCOLA P/BULBO HEIZUNG 2600W/230V FL.PICCOLA P/BULBO RESISTANCE 2600W/230V FL.PICCOLA P/BULBO RESIST.B.2600W/230V FL.PEQUEÑA P/AMPOLLA	
15	236060	TERMOSTATO BOILER PER LAVASTOVIGLIE ADJUSTABLE BOILER THERMOSTAT FOR DISH- WASHER THERMOSTAT DES WARMWASSERBEREITERS FUER GESCHIF THERMOSTATE SURCHAUFFEUR POUR LAVE- VAISSELLE TERMOSTATO CALENTADOR	
16	236035	TERM.CONTATTO /L.60°+/-3°(2611573) THERM.,CONT. /L.60°+/-3°(2611573) THERM.,KONT. /L.60°+/-3°(2611573) THERM.CONTACT /L.60°+/-3°(2611573) TERM.CONTACTO /L.60°+/-3°(2611573)	

18	80871	MICRO MAGNETICO MAGNETIC DOOR SWITCH TUERKONTAKTSCHALTER CONTACTE MAGNETIQUE CONTACTO MAGNETICO	
19	214114	PROTEZIONE TRASPARENTE PER IMPIANTO ELETTRICO PER I TRANSPARENT PROTECTION FOR ELECTRIC INSTALLATION F DURCHSICHTIGER SCHUETZ FUER ELEKTRISCHE ANLAGE DE PROTECTION TRANSPARENTE POUR INSTALLA- TION ELECTR PROTECC. EL.TRANSF.410X245 SP0.13	
20	121993	GRUPPO FILTRO DOSATORE FILTER GROUP FILTERANORDNUNG ENSEMBLE DE FILTRE ASAMBLEA DEL FILTRO	
21	143194	TUBO 4x6 CRISTAL TRASPARENTE PIPE 4x6 CRISTAL, TRANSP. SCHLAUCH 4X6 CRISTAL, DURCHS. TUYAU 4x6 CRISTAL TRANSPARENT TUBO 4x6 CRISTAL TRASPARENTE	
22	143267	TUBETTO 6X10 TUBE 6X10 FLASCHEN 6X10 TUBE 6X10 TUBITO SANTOPRENE 6X10 EMPALMES+VIROLAS	
23	209038	DOSAT.PERIST.DETERG.REG.(NBR-3)BLU ADJUST.PERISTALTIC DETERGENT DISPENSER PERISTALTIK DOSIERUNG REINIGUNGSMITTEL POMPE DOSEUR PERISTALTIQUE DETERGENT REGLABLE DOSIFIC. PERIST.DETERGENTE REG.	Optional
24	468151	RACCORDO ENTRATA SAPONE CPL NM * SALDATO UNION, EXTRA DET. CPL NM * WELDED TANKEINLAUF CPL NM* RACCORD ENTREE SAVON CPL NM * SOUDE EMPALME ENTRADA JABON CPL NM * SOLDADO	
25	984007	TRAPPOLA ARIA COMPLETA AIR TRAP, ASSY WINDKESSEL - KOMPLETT PRISE D'AIR - COMPLETE GRUPO CAMPANA PRESOSTATO	
26	437019	GUARNIZIONE CAMP. PRESS. V.M. GASKET, CAMP. PRESS. V.M. DICHTUNG, GLOCKE DRUCKSCH. V.M. JOINT BOITE PRESSOSTAT V.M. JUNTA CAMP. PRES. TORNILLO M.	
27	456020	OR 3050 R495 O-ring 3050 R495 O-Ring 3050 R495 OR 3050 R495 OR 3050 R495	
28	468029	RACCORDO CAMPANA PRESSOSTATO UNION, PRESSURE SWITCH BELL VERBINDUNGSSTK. TANKEINLAUF RACCORD BOITE PRESSOSTAT EMPALME CAMPANA PRESOSTATO	
30	026616	POLIESTERE POLYESTERE CONTROL PANEL MASKE POLYESTERE MEMBRANE TABL.CDE POLYESTER POLIESTER	
31	216025	LAMPADA SPIA SERIE 24.5.0.00.04.78 WARNING LAMP, SERIES 24.5.0.00.04.78 KONTROLL-LAMPE, REIHE 24.5.0.00.04.78 LAMPE-TEMOIN SERIE 24.5.0.00.04.78 LAMPARA TESTIGO SERIE 24. 5. 0. 00. 04.	
32	226072	CORPO PULSANTE SQ-1 NERO SWITCH HOLDER SQ-1 BLACK SCHALTER SQ-1 SCHWARZ CORPS BP SQ-1 NOIR CUERPO PULSADOR SQ-1 NEGRO	
33	227072	TASTO Q6 GRIGIO RAL7001 GREY PUSH-BUTTON DURKKNOPF - GRAU RAL7001 POUSSOIR GREY RAL7001 TECLA Q6 GRIS RAL7001	

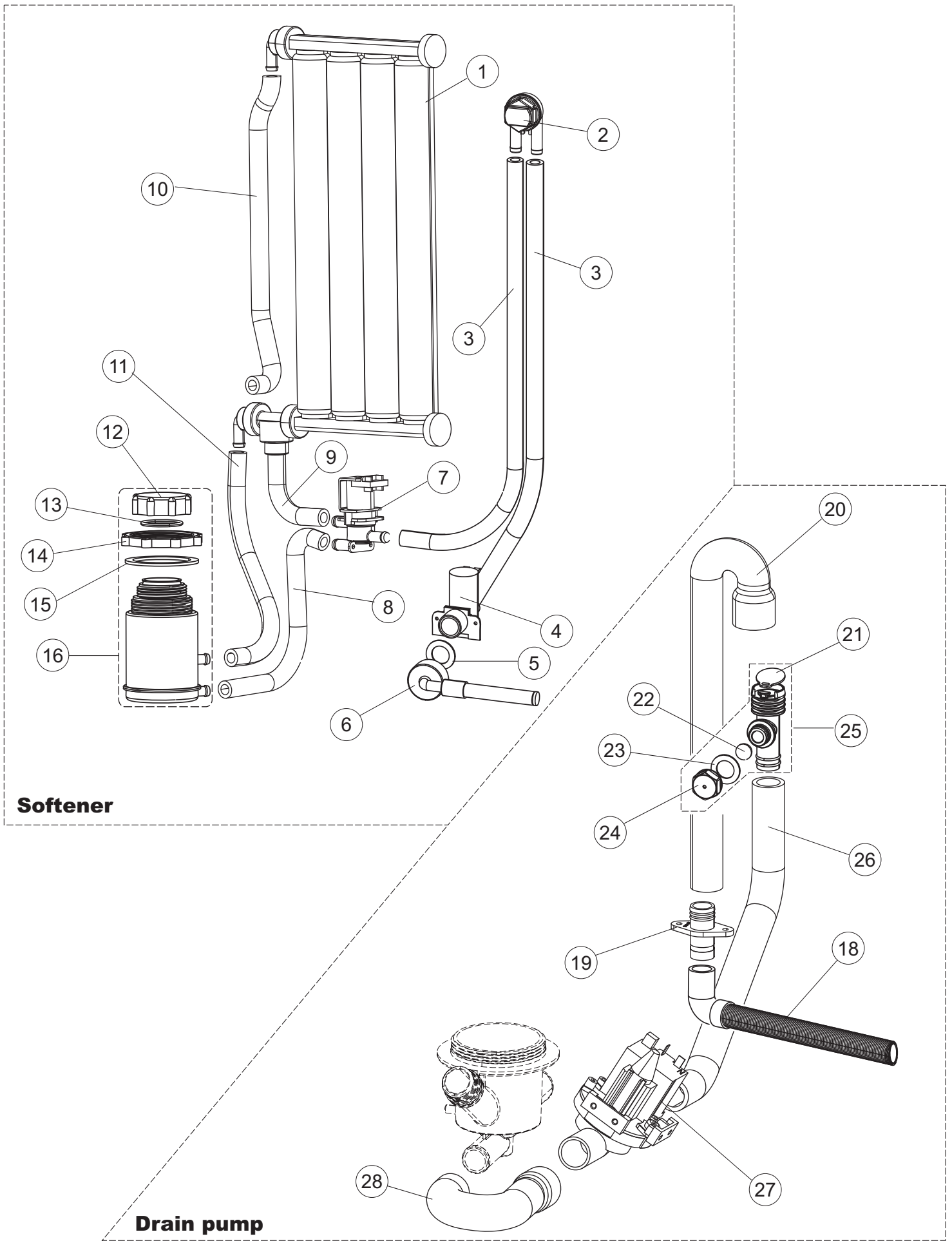
35	215034-6	SCHEDA ELETTRONICA MAIN BOARD KARTE CARTE ELECTRONIQUE TARJETA GET50	
36	210010	PORTAFUSIBILE UL FUSE-HODER SICHERUNGSHALTER PORTE-FUSIBLE PORTAFUSIBILE UL	
37	210011	PIASTRINA TERMINALE SFR/PT CABUR PLATE PLAETTCHEN PLAQUETTE PLACA TERMINAL SFR/PT CABUR	
38	228004	FUSIBILE 5X20F 4A FAST FUSE, 5X20 4A FAST SICHERUNG, 5X20 4A FAST FUSIBLE 5X20 4A FAST FUSIBLE 5X20 4A FAST	
39	229040	RELÈ 62.83.8.230.0300 RELAY 62.83.8.230.0300 RELAIS 62.83.8.230.0300 RELAIS 62.83.8.230.0300 RELÈ 62.83.8.230.0300	
41	215036	SCHEDA ELETTRONICA MAIN BOARD KARTE CARTE ELECTRONIQUE TARJETA CHORROS50 MICRO 644	046D/A,PS
45	203424	CABLAGGIO MODULO ESPANSIONE OPZ.LA500	
47	229029	RELE' FINDER 65.31 230/50 RELAY FINDER 65.31 230/50 RELAIS FINDER 65.31 230/50 RELAIS FINDER 65.31 230/50 RELE FINDER 65. 31 230/50	
48	208010	DEVIATORE DOPPIO - 35/40/50 SWITCH, DOUBLE - 35/40/50 ABLENKER, DOPPELT - 35/40/50 COMMUTATEUR DOUBLE - 35/40/50 DESVIADOR DOBLE - 35/40/50	
49	226071	PULSANTE DOPPIO CONTATTO 35/40/50 PB W/DOUBLE CONTACT 35/40/50 DRUCKT. MIT DOPPELKONTAKT 35/40/50 BP DUBLE CONTACT 35/40/50 PULSADOR DOBLE CONTACTO 35/40/50	
51	409001	CAMMA BICOLORE NERO OFF / VERDE ON TWO-COLOUR CAM, BLACK OFF / GREENE ON ZWEIFARB. NOCKEN, SCHWARZ AUS / GRÜN EIN CAME BICOLORE NOIR OFF / VERTE ON EXCENTR. BICOLOR NEGRO OFF / VERDE ON	
52	227073	TASTO Q8 GRIGIO RAL7001 GREY PUSH-BUTTON RAL7001 DURKKNOPF - GRAU RAL7001 POUSSOIR GREY RAL7001 TECLA Q8 GRIS RAL7001	



Listino componenti per pagina 3

1	142059	TROPPO PIENO LA40 OVERFLOW PIPE LA40 UEBERLAUFROHR LA40 BONDE DE SURVERSE LA40 REBOSE LA40	
2	456080	OR TROPPO PIENO LA40 OR OR OR OR REBOSE LA40	
3	121136	FILTRO BASE COMPLETO LA40 FILTER FILTER FILTRE FILTRO BASE COMPLETO LA40	
4	429077	GHIERA CORPO ASPIR./SCARICO LA40 NUT RING BAGUE VIROLA CUERPO ASPIR./DESCARGA LA40	
5	437107	GUARNIZIONE CORPO ASP/SCARICO LA40 GASKET DICHTUNG JOINT JUNTA CUERPO ASP/DESCARGA LA40	
6	136029	CORPO ASPIR./SCARICO LA40 INTAKE/DRAIN ELEMENT ABSAUG/ABFLUSSKOERPER CORPS ASPIRAT./VIDANGE CUERPO ASPIR./DESCARGA LA40	
7	144030	DISPOSITIVO DVGW LA500 AIR GAP TANK - NOT ASSY AIR GAP BEHAELTER - NICHT KOMPLETT RESERVOIR AIRGAP - NON COMPLET DISPOSIT. A/R.	
8	143004	TUBO PRESS.TP 10X17 (CASER/15NL C4N) PIPE, PRESSURE SWITCH TP 10X17 (CASER/15NL C4N) ROHR, DRUCKSCHALTER TP 10X17 (CASER/15NL C4N) TUYAU PRESS.TP 10X17 (CASER/15NL C4N) TUBO PRES. TP 10X17 (CASER/15NL C4N)	
9	127142	MANICOTTO	
10	240011	VALVOLA DI CARICO 1VIA LOADING S.VALVE 1-WAY ZUFLUSSVENTIL 1-WEG SOUPAPE DE CHARG. 1VOIE VALVULA DE CARGA 1VIA	
11	143170	TUBO CARICO 60.10.02.15 DVGW PIPE, LOAD 60.10.02.15 DVGW ZULAUFSCHLAUCH, WASSER 60.10.02.15 DVGW TUYAU CHARG. 60.10.02.15 DVGW TUBO CARGA 60. 10. 02. 15 DVGW	
12	104056	BOILER E35/40 RESISTENZA FLANGIATA BOILER E35/40 RESISTENZA FLANGIATA WARMWASSERBEREITER BOILER CALENTADOR E35/40 RESISTENCIA EMBRIDADA	
13	143228	TUBO ENTRATA ACQUA BOILER 8X9XL250 PIPE, BOILER WATER INLET 8X9XL250 ROHR, BOILERWASSEREINLASS 8X9XL250 TUYAU ENTREE EAU CHAUDIERE 8X9XL250 TUBO ENTRADA AGUA CALENTADOR 8X9XL250	
14	127108	MANICOTTO MANDATA BOILER LA50 MANGUITO IMPULSION CALENTADOR LA40	
15	127124	MANICOTTO RISCIAQUO SUPERIORE MANGUITO ENJUAGUE SUPERIOR LA40	

16	143268	GIUNZIONE DI RISCACQUO RINSE MANIFOLD Y-STUECK RACCORD DE RINCAGE UNION ENJUAGUE PLAST.	
18	127147	MANICOTTO MANGUITO	
19	115151	PIANTONE CENTRALE SUP.LA450 * * *	
20	127106	MANICOTTO MANDATA MANGUITO IMPULSION INF.LA40	
21	127105	MANICOTTO ASPIRAZIONE MANGUITO ASPIRACION LA40	
22	143120	TUBO SCARICO Mt1.5 / D25 PIPE, DRAIN Mt1.5 / D25 ABLASSROHR, Mt1.5 / D25 TUYAU VIDANGE Mt1.5 / D25 TUBO DESCARGA Mt1.5 / D25	
23	209037	DOSAT.PERIST.BRILLANTANTE+NR P/R NPG DOSING PUMP DOSIERUNG PERISTALTIK DOSAGE PÉRISTALTIQUE DOSIFIC.PERIST. ABRILLANTADOR REG.	
24	H.775601	TUBO 4x6 CRISTAL BLUE PVC PIPE 4x6 CRISTAL BLUE PVC ROHR 4x6 CRISTAL BLAU PVC TUYAU 4x6 CRISTAL BLEU PVC TUBO 4x6 CRISTAL AZUL PVC	
25	121149	FILTRO PER POMPA DETERSIVO DETERGENT PUMP FILTER SIEB FUER SPUELMITTELPUMPE FILTRE POUR POMPE DETERGENT FILTRO	
26	143005	TUBO PRESS.TP 5x11 (CASER/15/NL C4N) PIPE, PRESSURE SWITCH TP 5x11 (CASER/15/NL C4N) SCHLAUCH TP 5X11 (CASER/15/NL C4N) TUYAU PRESS.TP 5x11 (CASER/15/NL C4N) TUBO PRES. TP 5x11 (CASER/15/NL C4N)	
27	H.165168	TUBO PVC 6X9 CRISTAL TRASP. RAUCLAIR PVC PIPE PVC SCHLAUCH TUYAU PVC * TUBO PVC 6X9 CRISTAL TRANSPARENTE	
29	143266	TUBETTO SIL.5X10 MP2NERO+V.I(SEKO) TUBE 5X10 FLASCHEN 5X10 TUBE 5X10 TUBITO SILICONA 5X10 EMPALMES+VIROLAS	
30	437080	GUARNIZIONE RACCORDO LAV.SUP.E.40 GASKET, UNION, UPP.WASH.E.40 DICHTUNG, VERBINDUNGSST., OB.SPÜL.E.40 JOINT RACCORD LAV.SUP.E.40 JUNTA EMPALME LAV. SUP. E. 40	
33	480158	TAPPO	



Softener

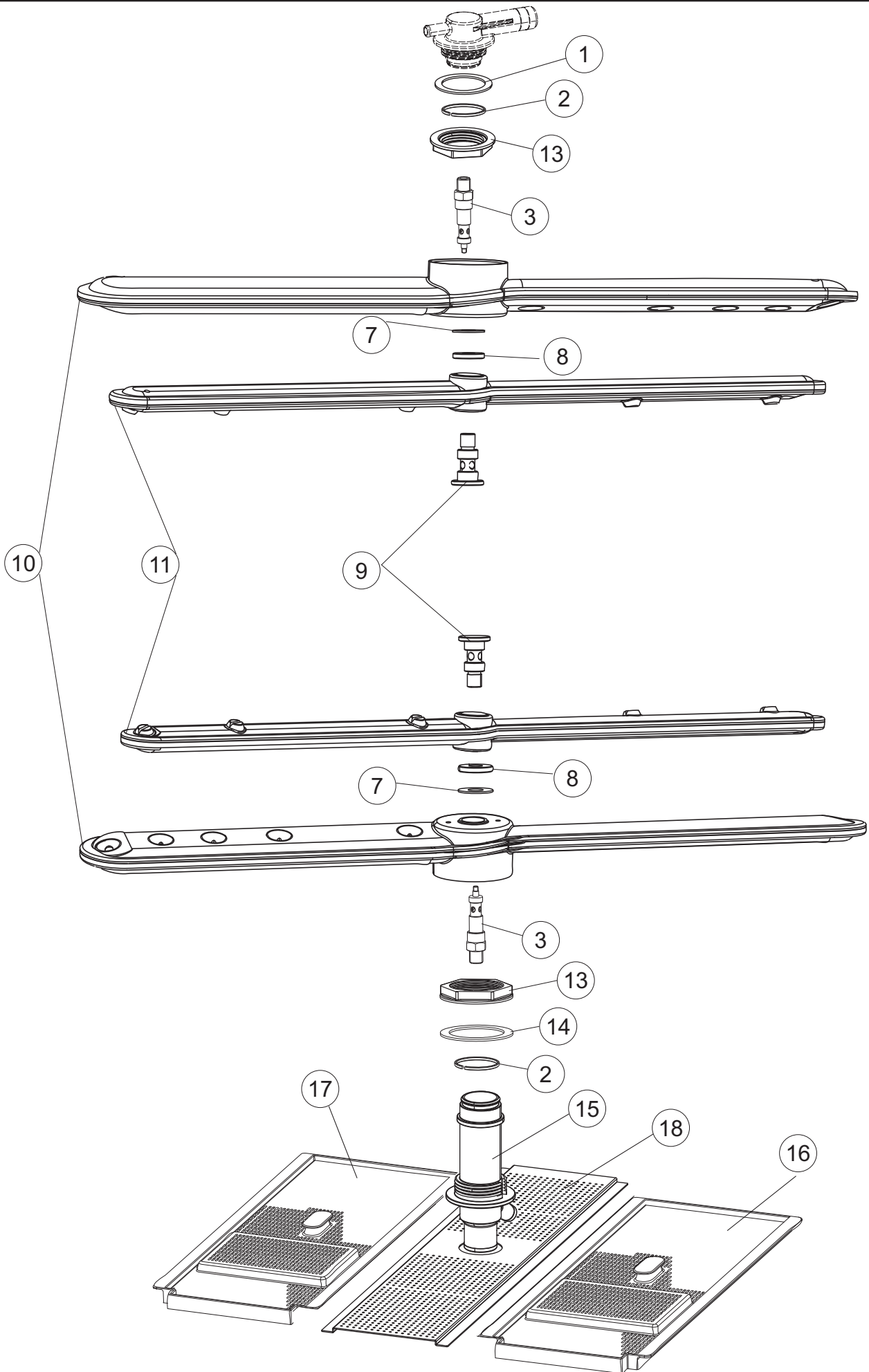
Drain pump

Listino componenti per pagina 4

1	117009	ADDOLCITORE 4 COLONNE (3414000) WATER SOFTENER WASSERENTKAECKER ADOUICISSEUR DEPURADOR 4 COLUMNAS	046D/A
2	144030	DISPOSITIVO DVGW LA500 AIR GAP TANK - NOT ASSY AIR GAP BEHAELTER - NICHT KOMPLETT RESERVOIR AIRGAP - NON COMPLET DISPOSIT. A/R.	
3	143004	TUBO PRESS.TP 10X17 (CASER/15NL C4N) PIPE, PRESSURE SWITCH TP 10X17 (CASER/15NL C4N) ROHR, DRUCKSCHALTER TP 10X17 (CASER/15NL C4N) TUYAU PRESS.TP 10X17 (CASER/15NL C4N) TUBO PRES. TP 10X17 (CASER/15NL C4N)	
4	240016	VALVOLA DI CARICO 1VIA 3/4 230V PARZ.16L LOADING S.VALVE 1-WAY 3/4 230V PART.16L ZUFLUSSVENTIL 1-WEG 3/4 230V DROSS.16L SOUPAPE DE CHARG. 1VOIE 3/4 230V PARZ.16L VALVULA DE CARGA 1VIA 3/4 230V PARC. 16L	
5	437041	GUARNIZIONE 3/4 GAS CARICO GASKET 3/4 GAS LOAD DICHTUNG 3/4 GASVERSORG. JOINT 3/4 GAZ VID. JUNTA 3/4 GAS CARGA	
6	143170	TUBO CARICO 60.10.02.15 DVGW PIPE, LOAD 60.10.02.15 DVGW ZULAUFSCHLAUCH, WASSER 60.10.02.15 DVGW TUYAU CHARG. 60.10.02.15 DVGW TUBO CARGA 60. 10. 02. 15 DVGW	
7	999288	GRUPPO VALVOLA DEVIATRICE MAGNETVENTIL ZWEIWEGE GRUPO VALVULA DESVIAC.CON REDUCTOR	
8	127102	MANICOTTO DI CONNESS.A"T"DI SCARICO COUPLING LA50 MUFFE LA 50 MANCHON LA50 MANGUITO DE UNION EN "T" DE DESCARGA LA50	
9	127140	MANICOTTO MANGUITO	
10	127142	MANICOTTO	
11	127138	MANICOTTO MANGUITO	
12	480005	TAPPO BOCCIA SALE SALT CONTAINER SCREW CAP PFROPFEN, SALZBEHALTER BOUCHON BAC A SEL TAPON JARRA SAL	
13	456052	OR 144 O-ring 144 O-Ring 144 OR 144 OR 144	
14	429011	GHIERA BOCCIA SALE RING NUT, SALT CONT. GEWINDERING, SALZBEH. BAGUE BAC A SEL VIROLA JARRA SAL	
15	437034	GUARNIZIONE D68D81S3 GOMMA GASKET, D68D81S3 RUBBER DICHTUNG, D68D81S3 GUMMI JOINT D68D81S3 CAOUTCHOUC JUNTA D68D81S3 GOMA	

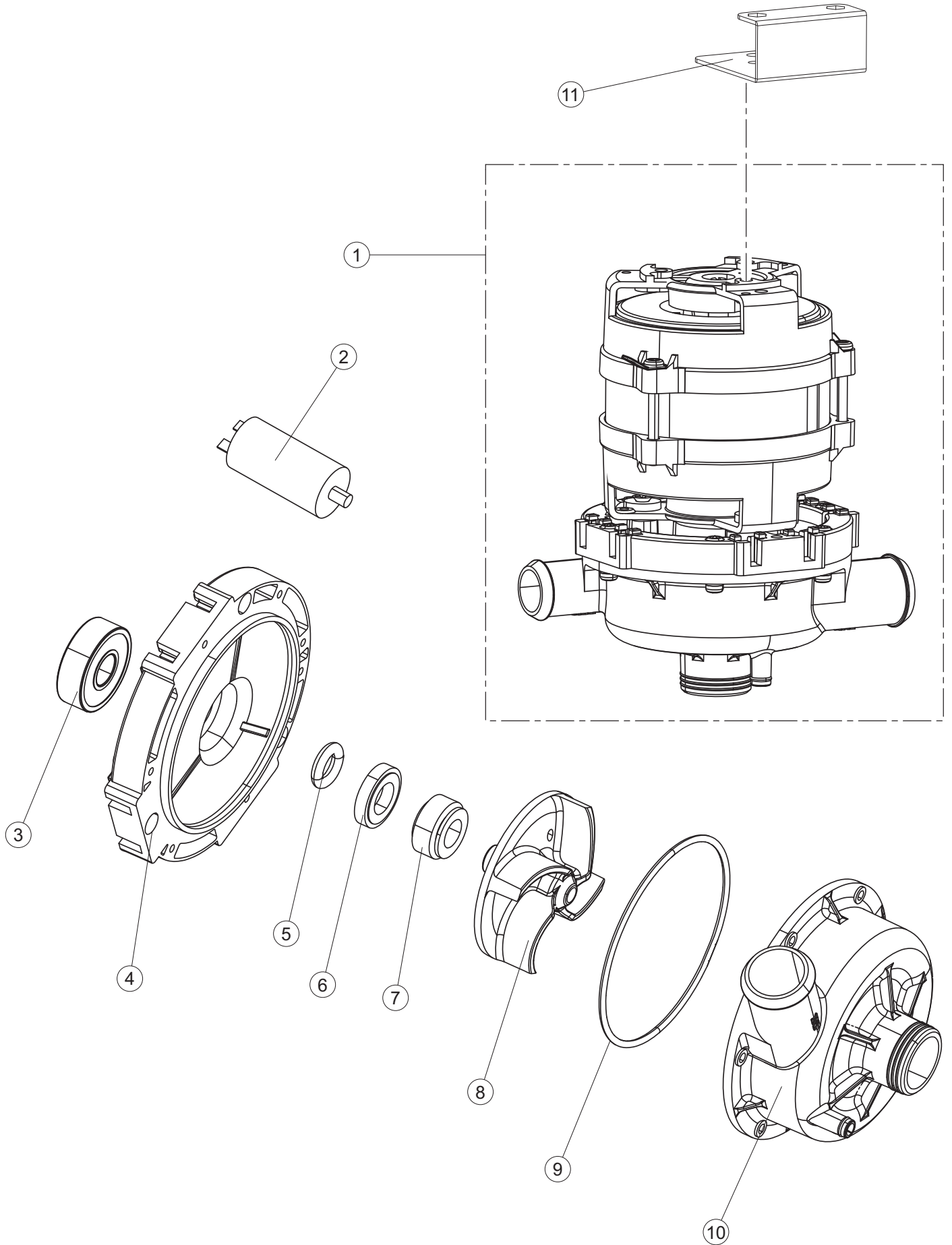
16	406998	GRUPPO BOCCIA SALE NM SALT CONTAINER NM SALZBEHALTER NM ENS.BAC A SEL NM GRUPO JARRA SAL NM	
18	143137	TUBO SCARICO D18 TERM.LE CURVO PIPE, DRAIN D18 BENT TERM. ABLASSROHR D18 GEBOG. ENDE TUYAU VIDANGE D18 TERMINAL COURB TUBO DESCARGA D18 TERMINAL CURVO	
19	468152	RACCORDO SCARICO CLEAN.3 UNION, DRAIN CLEAN.3 VERBINDUNGSST., ABLAUF CLEAN.3 RACCORD VIDANGE CLEAN.3 EMPALME DESCARGA CLEAN. 3	
20	127136	MANICOTTO SLEEVE MUFFE MANCHON MANGUITO	
21	499092	MEMBRANA VALVOLA SFIATO PS LA50 MEMBRANE BLENDE MEMBRANE VIDANGE LA50 MEMBRANA VALVULA ALIVIAD. PS LA50	
22	476008	SFEROA VALVOLA LA50. HOST BALL VALVE KUGELHAHN VANNE A BILLE ESFERA VALVULA.LA50.HOST.D=5/16"	
23	437083	GUARNIZIONE GOMMA D32D19.5S1.5 GASKET, RUBBER D32D19.5S1.5 DICHTUNG, GUMMI D32D19.5S1.5 JOINT CAOUTCHOUC D32D19.5S1.5 JUNTA GOMA D32D19. 5S1. 5	
24	468199	RACCORDO MASCHIO VALVOLA SF.E DVGW LA50 CONNECTOR ANSCHLUSSSTUECK LA50 RACCORD LA50 EMPALME MACHO VALVULA ALIVIAD. E DVGW LA50	
25	144992	GR.VALVOLA DI SFIATO X PS LA40 RELIEF VALVE GROUP LUFTLOCH-VENTIL DER ABFLUSSPUMPE SOUPAPE DE SOUPIRAL GR.VALVULA ALIVIAD. X PS LA40	
26	127150	MANICOTTO SUPPLY PIPE WASHLEITUNG CONDUITE CONDUCTO	
27	130175	POMPA SCARICO 50HZ DRAIN PUMP 50HZ ABFLUSSPUMPE 50HZ. POMPE DE VIDANGE 50HZ. BOMBA DESCARGA 50HZ	046D/PS
28	127151	MANICOTTO SUPPLY PIPE WASHLEITUNG CONDUITE CONDUCTO	

5



Listino componenti per pagina 5

1	437113	GUARNIZIONE CORPO INFERIORE PER LAVABICCHIERI LOWER BODY GASKET FOR GLASSWASHERS DICHTUNG DES KOERPERS -UNTEN- FUER GLAES ERSPUELEI JOINT CORPS INFERIEUR LAVE-VERRES JUNTA CUERPO INFER.LA40-50	
2	303018	ANELLO DI TENUTA E SCORR.CL.3 RING, SEAL AND SLIDING CL.3 DICHTUNGS- UND GLEITRING CL.3 BAGUE D'ETANCHEITE ET GLISSEM.CL.3 ANILLO DE ESTANQ. E CORRED. CL. 3	
3	325097	PERNO LAVAGGIO WASHING PIVOT WASCHUNG ZAPFEN PIVOT DE LAVAGE PERNO LAVAD PARA CABL. COND. LA40 NM	
7	80623	ANELLO IN TEFLON 22X9,5X1 RING 22X9,5X1 RING 22X9,5X1 RING 22X9,5X1 ANILLO DE TEFLON 22X9,5X1	
8	80697	GHIERA ULTRA RINSE INOX NUT RING BAGUE VIROLA ULTRA RINSE INOX	
9	80700	PERNO RISCIAQUO HINGE STIFT BROCHES PERNO	
10	129090	PETTINE LAVAGGIO PLASTICA LA450	
11	129079	PETTINE RISCIAQ.PLASTICA E45/CAPOT	
13	429079	GHIERA FISSA CONDOTTO INF.LA40 NUT RING BAGUE VIROLA FIJA CONDUCTO INF.LA40	
14	437108	GUARNIZIONE CONDOTTO INFER.LA40 GASKET DICHTUNG JOINT JUNTA CONDUCTO INFER.LA40	
15	115144	CONDOTTO CENTRALE INF.LA40 LOWER CENTRAL PIPE ZENTRALLEITUNG UNTEN CONDUIT CENTRAL INFERIEUR CONDUCTO CENTRAL INF.LA40	
16	121154	FILTRO VASCA PLAST.LATER.(7040)LA450	
17	121155	FILTRO VASCA SX. PLAST.LATER.(7040)LA450	
18	033482	TRAVERSO CENTRALE FILTRI LA450 CENTRAL CROSS ARM FOR SPRING HOOKING ZENTRALHALTERUNG FUER SIEBE EQUERRE CENTRALE FILTRES TRAVESANO CENTRAL FILTROS	



Listino componenti per pagina 6

1	130166	POMPA LAVAGGIO PUMP PUMPE POMPE BOMBA.LA40 230/50-1	
2	206013	CONDENSATORE DA 4 MF WASH PUMP CAPACITOR 4 MF KONDENSATOR 4 MF FUER WASCHPUMPE CONDENSEUR 4 MF POUR POMPE DE LAVAGE CONDENSADOR DE 4 mF	
3	314011	CUSCINETTO POMPA PER LAVABICCHIERI WASH-PUMP BEARING FOR GLASSWASHERS WASCHPUMPLAGER FUER GLAESERSPUELER COUSSINET POUR POMPE DE LAVAGE POUR LAVE-VERRES COJINETE BOMBA LA40	
4	315028	FLANGIA FLANGE FLANSCH BRIDE BRIDA BOMBA	
5	456084	O-RING O-RING TORISCHE DICHTUNG JOINT TORIQUE OR.BOMBA 82.22X2.62 LA40	
6	141012	TENUTA MECCANICA PER POMPA DI LAVAGGIO PER LAVABIC WASH PUMP SHAFT SEAL FOR GLASSWASHER MECHANISCHE DICHTUNG FUER WASCHPUMPE DER GLAESE ETANCHEITE' DE LA POMPE DE LAVAGE POUR LAVE-VERRES SELLO MEC.FIJO (0146)BOMBA LA40	
7	141013	TENUTA MECCANICA PER POMPA DI LAVAGGIO PER LAVABIC WASH PUMP SHAFT SEAL FOR GLASSWASHER MECHANISCHE DICHTUNG FUER WASCHPUMPE DER GLAESE ETANCHEITE' DE LA POMPE DE LAVAGE POUR LAVE-VERRES SELLO MEC.GIRAT.(0143)BOMBA LA40	
8	124063	GIRANTE POMPA PUMP IMPELLER 50HZ UMPENFLUEGEL 50HZ TURBINE POMPE 50HZ ROTOR BOMBA(LA40)50HZ	
9	456083	O-RING O-RING TORISCHE DICHTUNG JOINT TORIQUE OR.BOMBA	
10	116035	CORPO POMPA PUMP HOUSING PUMPENGEHAEUSE CORPS POMPE CUERPO BOMBA LA40	
11	035097	STAFFA POMPA LAVAGGIO BRACKET BEF.WINKEL EQUERRE	